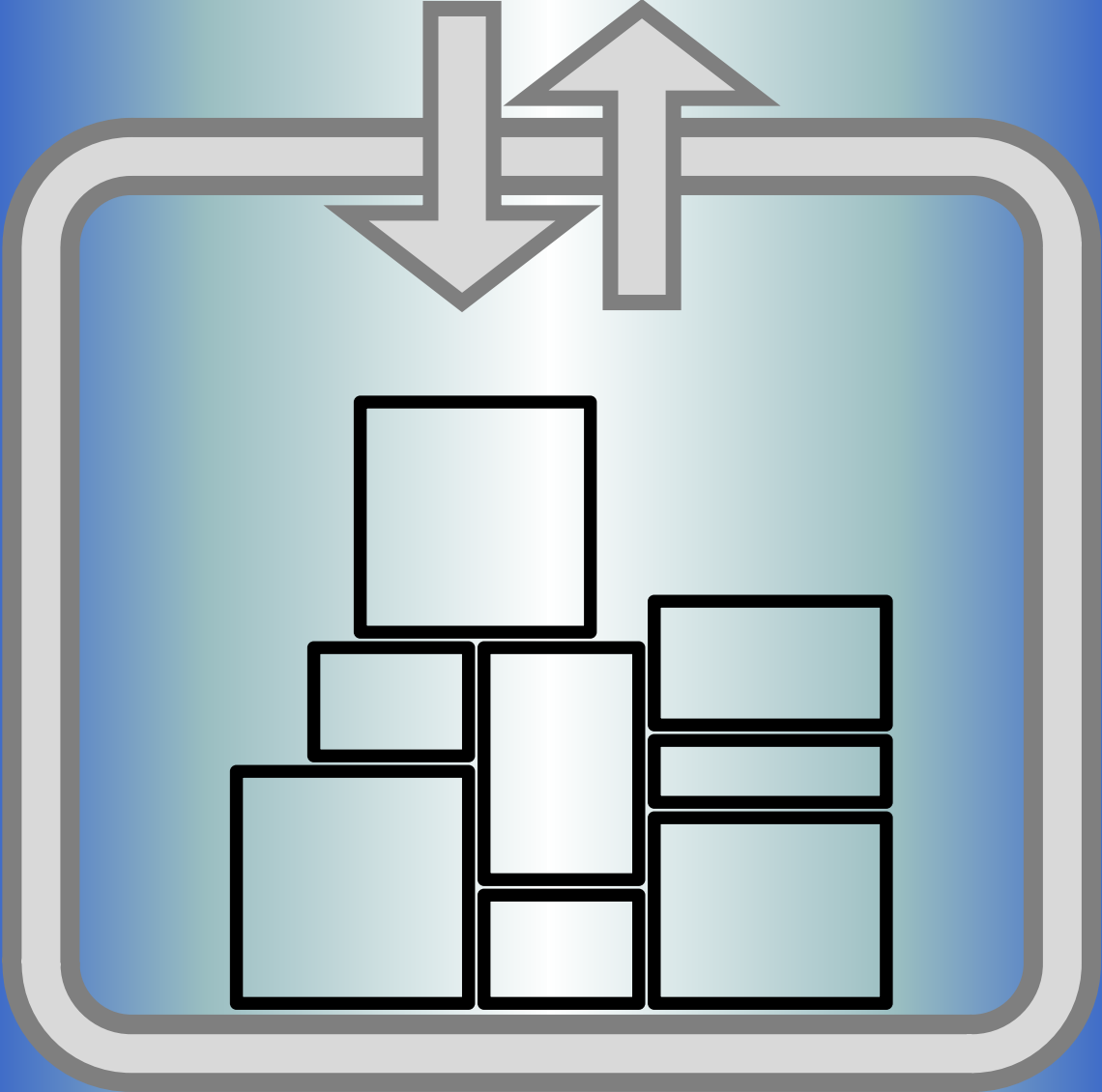


Goods Platform

TP 20



Goods platform TP 20

The intelligent solution for industrial installations

As a leading company ThyssenKrupp provides the top-quality products that our customers demand.

In developing our products, we ensure their excellence in terms of quality, flexibility, precision and efficiency. Using our system solutions and first-class elevator components we undertake every project with a bespoke approach.



Industrial



Low
Traffic



Middle
Traffic



High
Traffic



New
installation



Modernization

Description

Electromechanical elevation system
Maximum load: 2,000 kg
Speed: 0.2 m/s
Travel: up to 12 m
Maximum number of stops: 3
Load cell

Advantages

Reduced pit: 150 mm
Quick and easy installation
High performance gear motor
Low power consumption
Cabinet: 900 x 260 x 250
0.5 m height folding bumpers,
installed on the pit floor for
maintenance purpose



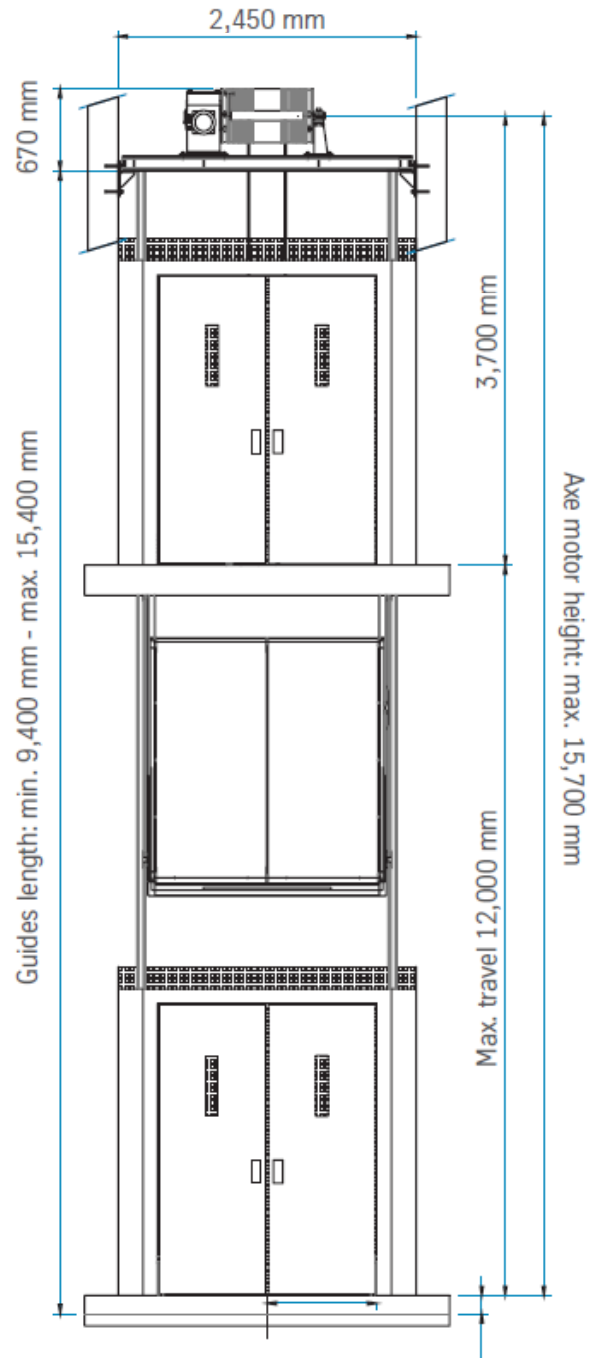
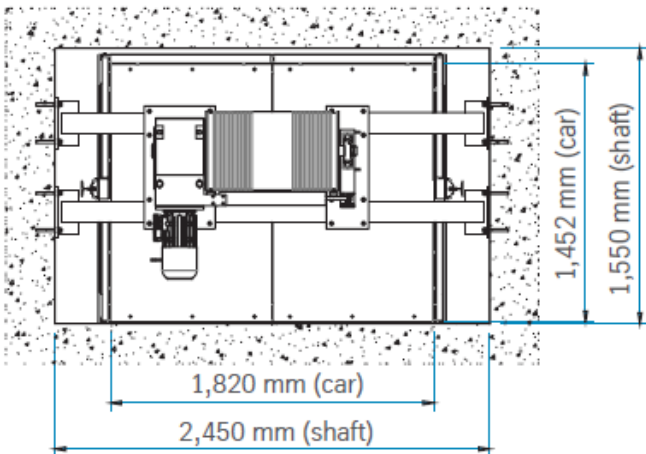
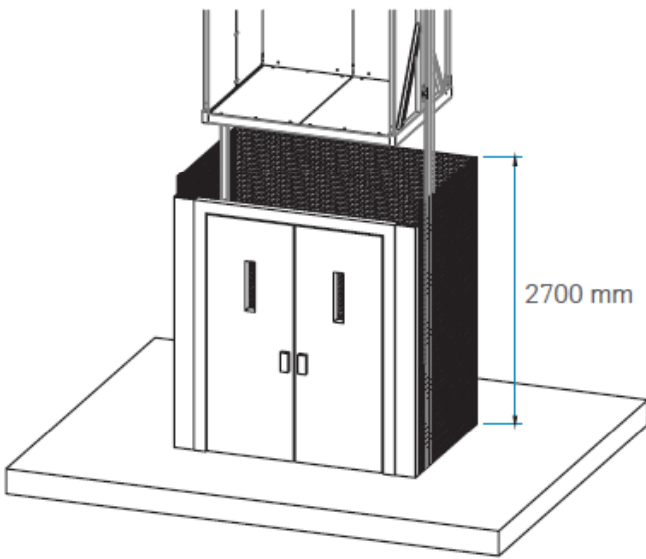
sustainable  efficiency

Car and Shaft Dimensions

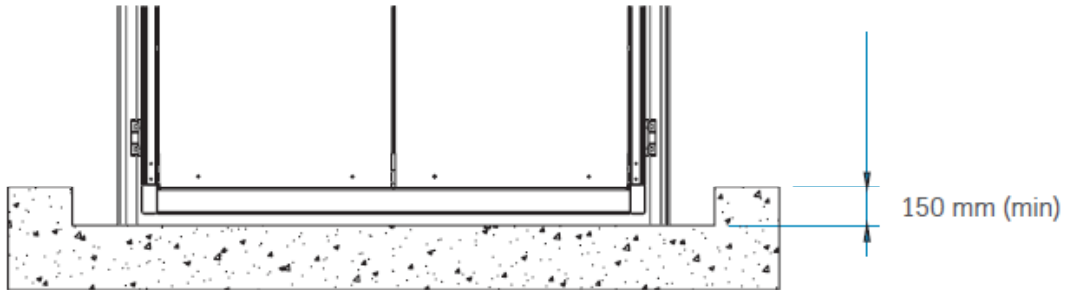
Car Dimensions: 1,820 x 1,452 mm (LxW)

Shaft Dimensions: 2,450 x 1,550 mm (LxW)

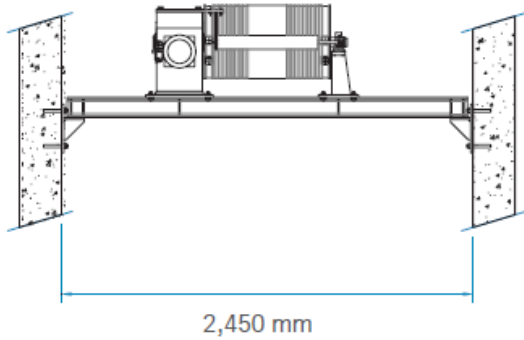
Pit Height: 150 mm



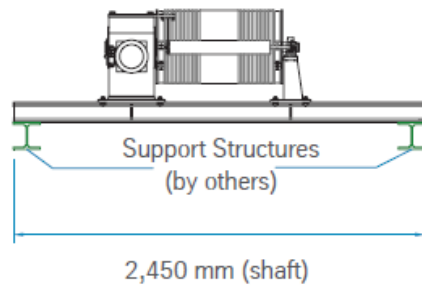
Reduced Pit



Option 1 Wall attachments



Option 2 Rested on Support Structures

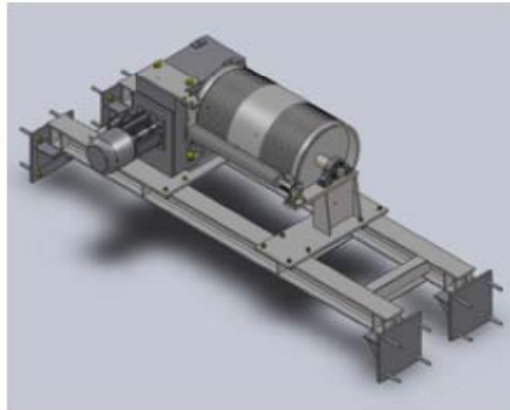


Floor 5mm Ø Steel Floor Plate



Reduced Pit

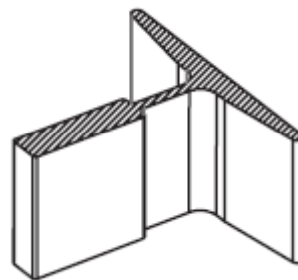
High performance gear motor
Power 5.5 kW
Cable drum



(Wall
Attachments
Option 1)

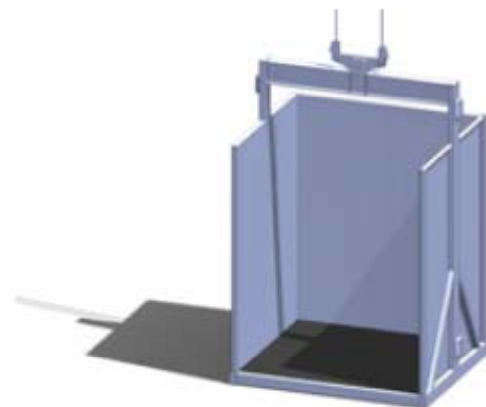
Guides

T90/B Vertical Guides
Wall Attachments every 3 m



Car Enclosure

2 m Height Folded plate car Panel



Doors

Manual hinged door with 2 leaves

Dimensions 1,800 x 2,400 mm (LxH)

The door will be equipped with mechanical and electrical interlock

Sight holes for inspection



Additional Security Devices

0.5 m height folding bumpers, installed on the pit floor for maintenance purpose

Operation

The operator will call the platform by means of the call button.

If all the doors are closed and there is no overload, the platform will go to the stop which it has been called from.